

ECO SWITCH 1550 SERIES

REMOTE- AND AUTO-OFF ROCKER SWITCH



ADVANTAGE

Less standby loss and safer for end customers

Wide rating range

High reliability

Easy to integrate into existing systems

Excellent haptic

Numerous versions

No accidental switch-off

Exceeds the requirements of the European Eco-Design Regulation

Simple mounting

→ PRODUCT FEATURES

→ Automatic switch-off functionality with flexible time settings, controlled by an external signal from the end device (remote-off) or by the integrated electronics (auto-off)

→ From low DC signal currents to ratings of 10 (4) A 125 / 250 V AC

→ Switching system, tried and tested a million times

→ Compact, one piece solution

→ Optimized and symmetric actuation characteristic

→ Remote-off or auto-off versions, illuminated, DC control pulse, rockers and colors

→ Auto-off version with intelligent current detection

→ Energy neutral through total single-pole galvanic separation - "Zero-Watt"

→ Stable, automatic snap-in from the back

Rating	10 (4) A 250 V / 125 V AC
Poles	Single-pole
Switching function	ON / OFF (SPST) Manual, auto-off or remote-off
Actuation type	Rocker switch
Illumination	Optional
Protection type	IP 40
Mechanical / electrical life	50E3 / 25E3
Ambient temperature	-25 ... +85 °C
Coil control pulse (remote-off)	4,5 A 250 V (1 half wave, 10 ms)
Auto-off timer	1 min. to 25 hrs (Net frequency independent)
Terminal type	Quick-connect 4.8 x 0.8 mm
Actuating force	2 - 3 N ±1.5 N
Flammability	UL 94 V-0 / GWIT IEC 60335
Approval marks (IEC/UL 61058)	
Suitable for appliances of protection class II	

EXAMPLES OF APPLICATION

- Small household appliances
- Entertainment electronics
- Office equipment
- Medical devices
- Industrial applications
- Large household appliances

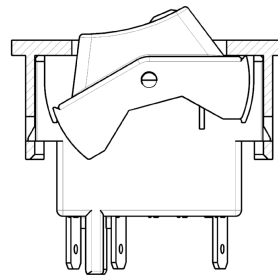
ECO SWITCH 1550 SERIES

REMOTE- AND AUTO-OFF ROCKER SWITCH

VARIANTS

	Actuation type	Number of poles	Illumination	Switching function	Terminal type	Optional
Remote-off	Rocker switch	1	●	ON / OFF	Quick-connect 4.8 x 0.8 mm	DC pulse control
	Rocker switch	1		ON / OFF		
Auto-off	Rocker switch	1	●	ON / OFF		Current detection
	Rocker switch	1		ON / OFF		

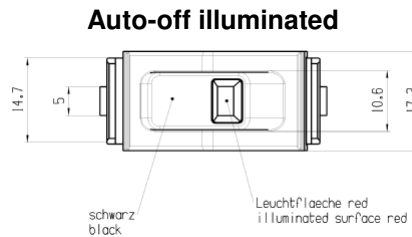
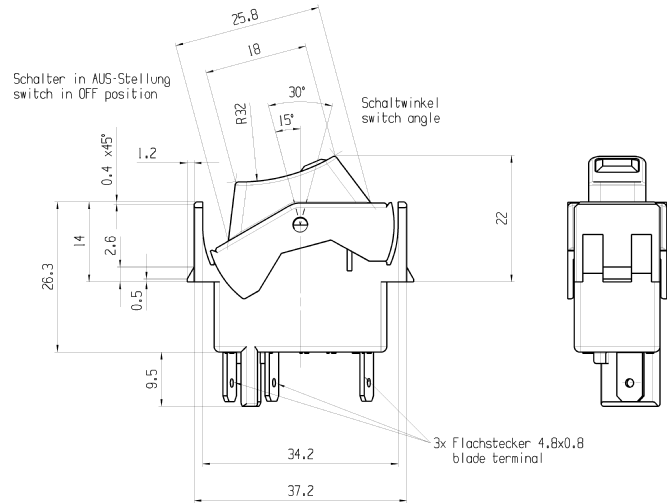
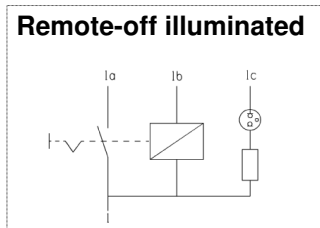
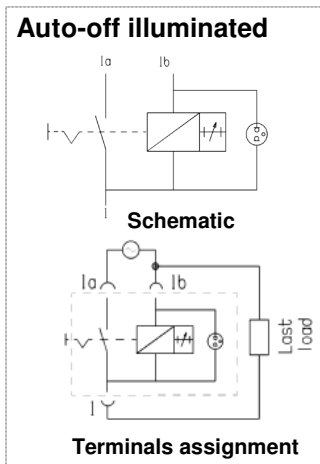
PRODUCT IMAGES



Installation proposal

DRAWINGS

(imensions in mm)



MARQUARDT

Marquardt Mechatronik GmbH · Schloss-Straße 16 · 78604 Rietheim-Weilheim · Germany
 Phone +49 (0) 74 24 / 99-0 · Fax +49 (0) 74 24 / 99-23 99 · marquardt@marquardt.de · www.marquardt.com